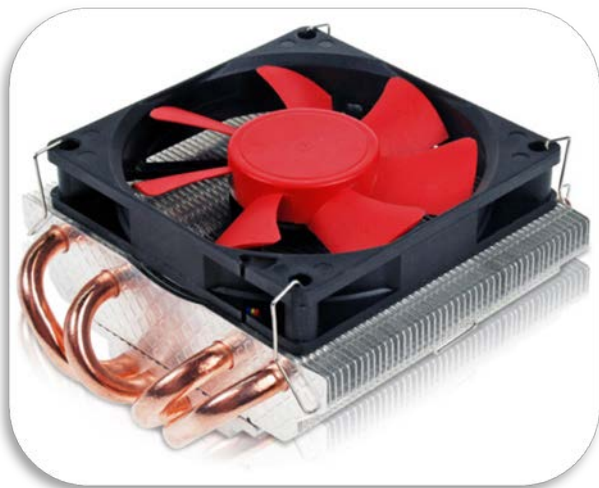




EVERCOOL
FAITH RELIABILITY TRUST



4 heatpipes and H.D.T. Core



1.5U low height design cooler for slim type cases.



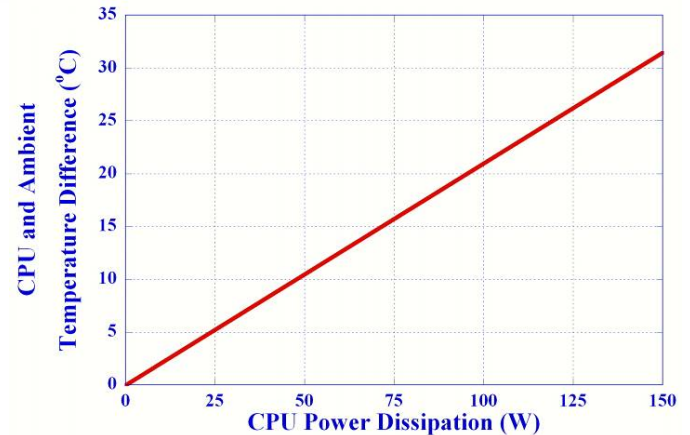
Clip for INTEL and AMD



PWM smart fan

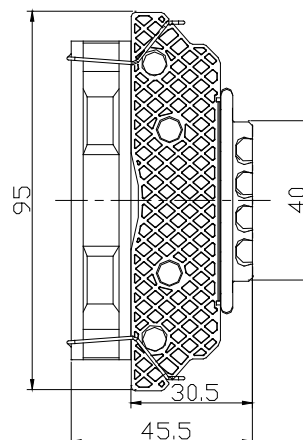
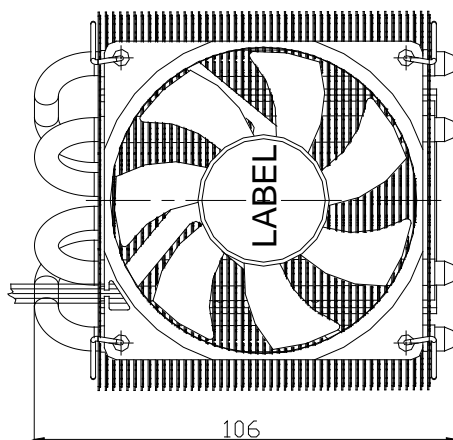
Product Specification

Application CPU	INTEL Socket LGA 1366 / 1156 / 1155 / 775 A M D Socket 754/939/K8/940/AM2/AM2+/AM3 /AM3+/FM1/FM2
Heat Sink Dimension	106 x 95 x 45 x mm
Heat Sink Material	4 Heatpipes + Al Fin + H.D.T. Core
Fan Dimension	80 x80 x 15 mm
Bearing Type	Patent EL Bearing Fan Life Expectancy at 25°C 40000HR
Fan Speed (RPM)	1000 ± 25% ~ 4000 ± 10 % RPM
Fan Airflow (CFM)	9.89~43.46 CFM
Static Pressure (Inch H2O)	0.01~0.19 InchH2O
Fan Noise Level (dBA)	<5.0~<40 dBA
Rated Voltage (V)	12
Weight (g)	320 g



Features:

- Max TDP 130W
- 1.5U low height design cooler for slim type cases.
- 4 heat pipes with direct contact tech maximize heat conductivity.
- PWM smart fan will automatically adjust the fan speed according to the temperature of CPU for a silent operation.



Unit : mm